



Give It Gas - operates solely as an ONLINE BUSINESS

Tel: (011) 646 9439

Cell: (082) 452 4488

Email: penny@giveitgas.co.za

www.giveitgas.co.za

A. MODEL NAME

Name: Atlas

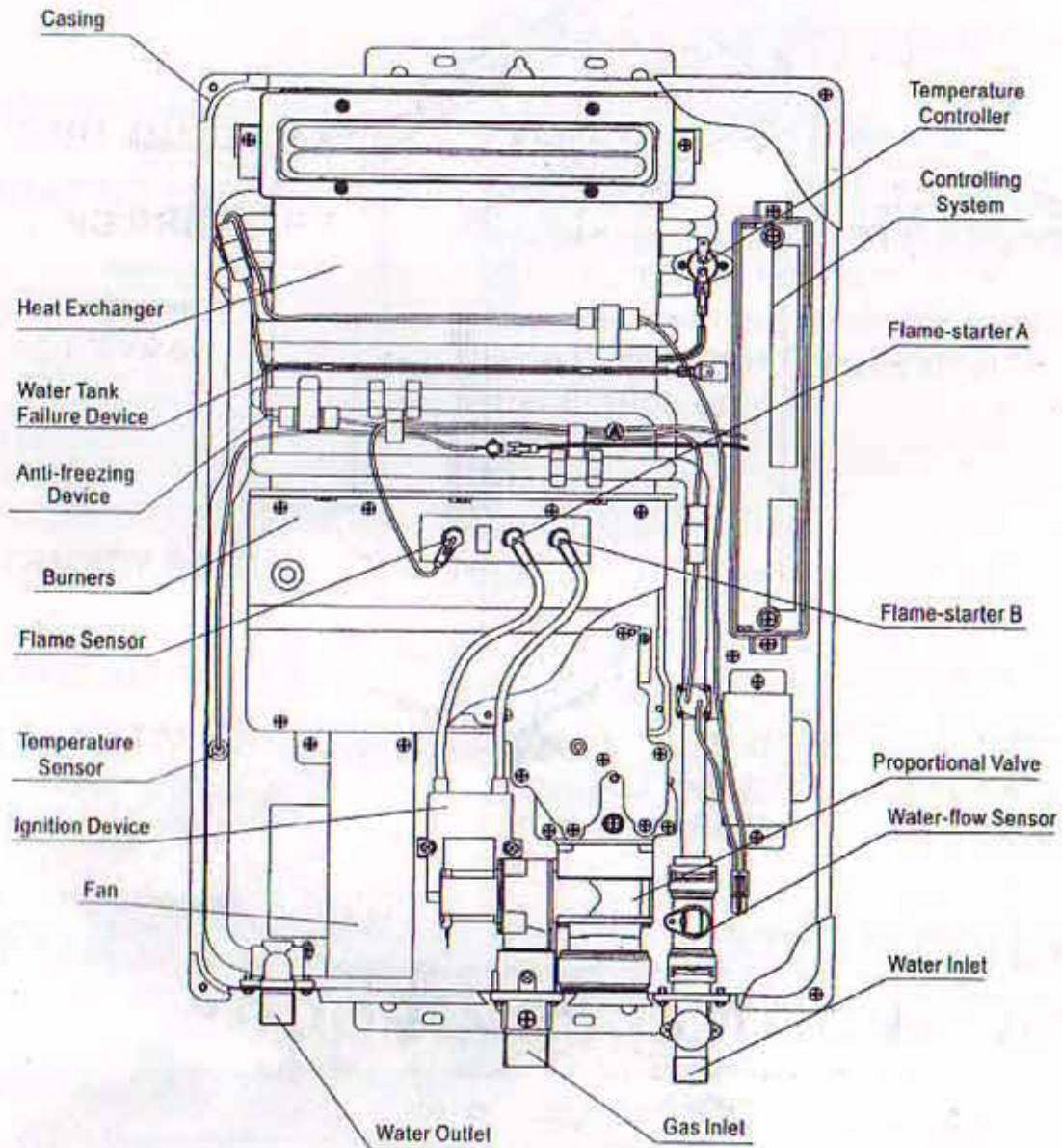
Model: JSW40-20A1HX.

20 L Turbo Fan Outdoor installation only.

B. PRODUCT FEATURES

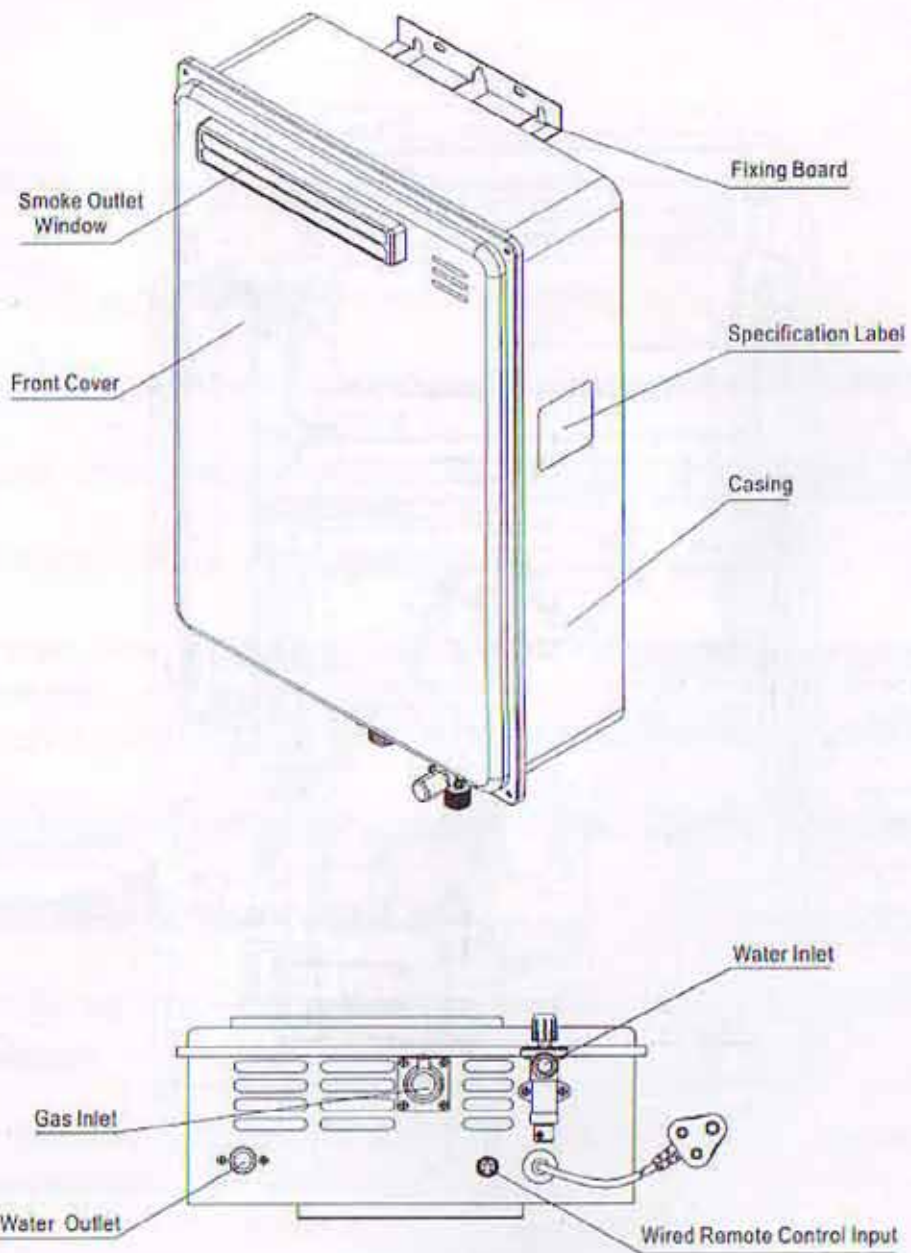
- (1) For installing outside-safe and reliable
- (2) DC forced ventilation, forced combustion, smaller size unit
- (3) Constant temperature control with digital display, convenient and easy to set to required temperature.
- (4) Features a Gas Stabiliser that adapts to unstable gas pressures
- (5) Low starting water pressure (100kPa)-suitable for most areas
- (6) Electric impulse ignition, ensures stable and fast ignition
- (7) Manifold safe devices used
- (8) Automatic self-detecting function, auto alarm with special Error Codes
- (9) Wired Remote Control for easy operation (or no wire hand held remote control)
- (10) High Power Unit with considerably strong water output, supplying sufficient water to more than one outlet at once.

C. PRODUCT LINE DRAWING AND OUTSIDE PART IDENTIFICATION



Any change on this above diagram is subject to no additional informing message.

D. GEYSER INNER VIEW AND INNER PART IDENTIFICATION



The above diagram is for your reference only, which may be different from the actual product.

E. TECHNICAL DATA

BRAND NAME:	ATLAS
MODEL NO:	JSW40-20A1HX OUTDOOR TYPE
GAS TYPE:	LPG (LIQUEFIED PETROLEUM GAS)
CONSUMPTION AT MAX:	2,850 Kg/Hr-40W Input
OPERATING PRESSURE:	2.8 kPa (Install only with a regulator operating at a minimum of 3 Kg/Hr)
PRODUCT TYPE:	Type D-Weather Proof - for outdoor installation only
IGNITION:	Electronic Impulse
ELECTRICITY REQUIRED:	60W AC 220-240V

FOR THE INSTALLER: Use only a 2.8 kPa SANS 1237 approved regulator which has an LPGSA permit. Minimum flow rate is 3 kg/hr.

FOR OUTDOOR INSTALLATION ONLY

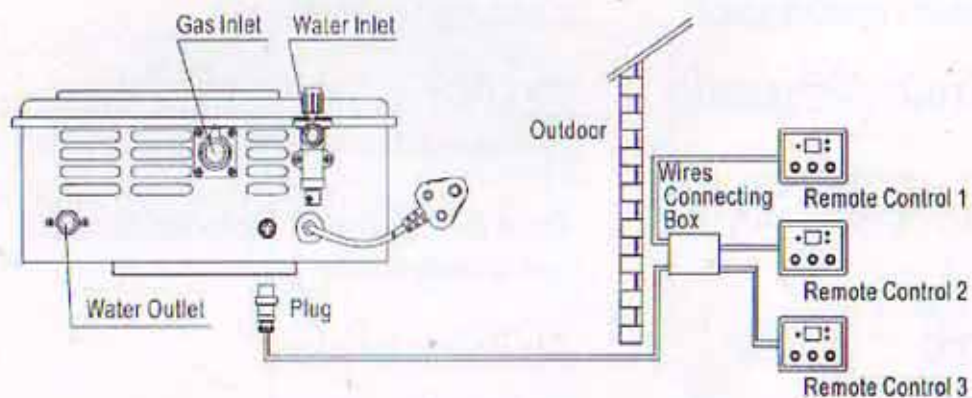
F. INSTALLATION

Notes for the LPGSA registered Installer:

FIT A REGULATOR NO SMALLER THAN 3 KG/HR

- (i) To be installed in accordance with I.A.W. and SANS 10087-1
- (ii) Although this is a weather proof unit, it must be installed in a reasonably protected environment (under overhang of roof or with a rain deflector fitted on top of geyser)

- (iii) Install away from any combustible materials.
- (iv) Install at least 500mm above the ground.
- (v) As the exhaust is in the front cover, ensure that the unit is installed facing away from the local main wind.
- (vi) Install away from windows and doors so that combustion emissions cannot drift into the house or any other structures.



Figure

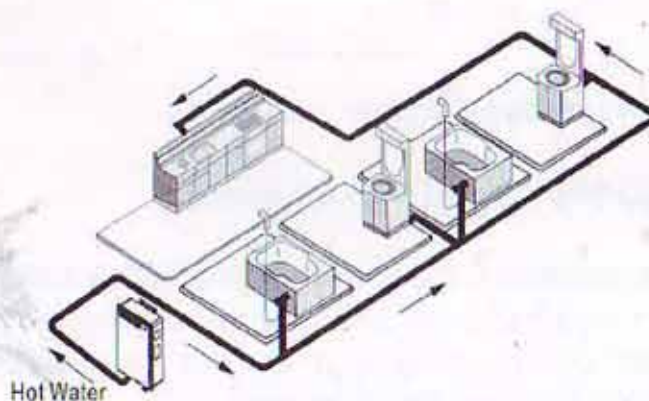
PIPE INSTALLATION

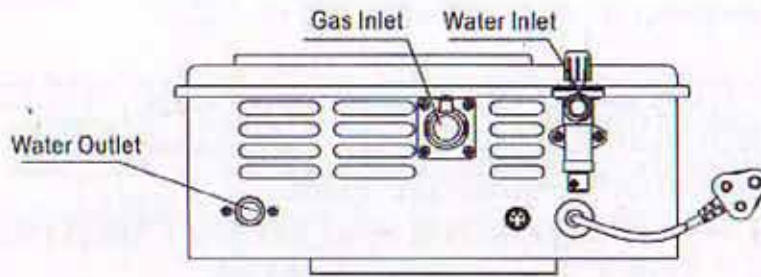
See low pressure pipe sizing Table 3 Module 5 in your Basic Installers' Course manual.

Too narrow diameter piping over a long distance can cause the unit to underperform below its capability.

Maximum distance for 15mm piping is 6 metres for this geyser.

When exceeding 6 metres, use 22 mm piping.





G. OPERATION AND SAFETY INSTRUCTIONS

1. This Heater functions on a Microcomputer Intelligent Control System. Before using the geyser, follow these steps:
 - (a) Connect the geyser cord to a power supply and switch on. The remote dial box will light up after you press 'Start' and will then display the ambient temperature.
 - (b) Set to the required temperature by pressing the "UP " or "DOWN " buttons.



- (d) Check that the cylinder valve and gas shut off valve installed below the geyser is also in an OPEN position.
- (e) Open the hot water tap. The geyser will ignite and the combustion fan will start up. Shortly the hot water will flow through, depending on the distance from the tap to the geyser installation.
- (f) If you close the hot water tap, the geyser will shut off automatically.

REMEMBER, IF YOU HAVE HAD A POWER FAILURE OR THE PLUG FEEDING THE POWER SUPPLY TO THE GEYSER HAS BEEN SWITCHED OFF OR REMOVED, YOU WILL HAVE TO RESTART AT THE REMOTE DIAL.

NB. The default setting of the remote dial is 42°C

- FOR SAFETY REASONS, PLEASE SHUT OFF THE GAS SUPPLY AT THE CYLINDER IF YOU WILL NOT BE USING THE GEYSER FOR AN EXTENDED PERIOD OF TIME.
ALSO, DRAIN THE REMAINING WATER OUT OF THE GEYSER AND SHUT OFF THE COLD WATER VALVE.
- THIS GEYSER IS FITTED WITH AN ANTI FREEZE DEVICE. DO NOT SWITCH OFF THE POWER SUPPLY IN COLD WEATHER.
- GENERAL SAFETY INSTRUCTIONS FOR YOUR SAFETY
 - (a) This appliance operates on LPG (Liquefied Petroleum Gas). The jets fitted are for LPG. This geyser can also be operated on Natural Gas and Town Gas, BUT special modifications must be done by a specialist to accommodate the use of these gases (consult the Distributor as detailed on the back page of this manual)
 - (b) IF YOU SMELL GAS:
 - Turn off the gas supply at the cylinder valve
 - If there is a fire present, extinguish with dry foam extinguisher-never with water,
 - Do not operate electrical appliances nearby.
 - Do not smoke nearby.
 - Ventilate the area thoroughly.
 - Check for leaks as detailed in this manual (see Leak Testing). If a leak is detected, retighten all connections and retest. If the leak(s) persist, contact the specialist gas dealer / installer to check.
 - Do not use the geyser when a leak has been detected.

BURN BACK (FLAME/FIRE) IN THE BURNER TUBE OR CHAMBER.

In the event of a burn-back, immediately turn off the gas supply and close the warm water tap and ensure that the flame is extinguished. Restart the geyser in the normal way. If the burn back re-occurs, shut down and call your specialist dealer or installer. This is a high tech unit and can only be inspected by the above.

- Gas Pressure Regulator

The installer must use a 2.8 kPa SANS approved regulator with a capacity flow rate of not less than 3 kg/hr. SANS approval specification certification is SANS 1237-2.

OWNER LEAK TESTING

- Check fittings and connections regularly (when changing gas cylinder) or when gas smell is detected
- Spray or brush a 50/50 soap water solution on all joints. If any bubbles form around the joint, then there is a gas leak. In this instance, retighten joints and clamps.
- If the leak persists, stop using the geyser, close the cylinder valve, switch off the remote electrical source, and anything else that could be a possible ignition source.

DO NOT USE THIS GEYSER FOR ANY THING ELSE OTHER THAN HEATING WATER

TAMPERING: UNDER NO CIRCUMSTANCES MAY ANY UNAUTHORISED PERSON WORK ON, DO REPAIRS, MODIFY, OR TAMPER WITH THIS UNIT! THIS IS DANGEROUS AND CAN LEAD TO PROPERTY DAMAGE AND DEATH. THIS IS EXTREMELY DANGEROUS AND WILL NOT ONLY NULLIFY YOUR GUARANTEE - IT IS AGAINST THE LAW (SEE DOL*, PER, AND SANS 347***)**

(* Dept. of Labour, ** Pressure Equipment Regulations (Safe Engineering Practice), *** South African National Standards)

SAFE OPERATION

- By law, your installer should commission the geyser and demonstrate the functions, and how to operate it.
- The unit must be correctly installed and safe to use.
- If the first ignition fails-close the hot water tap, wait for a few moments then try again.

- Should there be an 'explosive ignition' when you start, please contact your installer to re-set the slow ignition screw. Water pressure varies from time to time and if the pressure is too high, this 'explosion' will happen.
- TAKE NOTE that after a short stop, when you ignite again, the water temperature will be very high for a short period, then will return to normal temperature as per the setting.
- CLEANING AND CARE

Clean the outside cover of the geyser regularly with warm water and dishwashing liquid. NEVER use abrasive cleaners. You should arrange for your installer to service the geyser at least once in 12 months to ensure its longevity.

H. CONTROLLING SYSTEM & ERROR CODES

This geyser is fitted with the function of self-detecting malfunctions and errors. Required water temperature, actual water temperature, and other kinds of malfunctions and errors can be shown on the operation plate. Different errors will show as follows:

- E0 Error from Water Temperature Sensor
- E1 Error from Ignition
- E2 Error from Flame
- E3 No Water or too High Temperature
- E5 Error from Fan
- E6 Too high Water outlet temperature

GET THE GEYSER BE CHECKED BY YOUR INSTALLER OR OUR SERVICE CENTRE BELOW.

I. AFTER SALES SERVICE

If you find any malfunctions when using this water geyser, please contact our authorised after sales service centre or make direct contact with our company:

Atlas Furniture & Appliance Distributors (PTY) Ltd.
101 Terrace Road, Sebenza Edenvale
TEL: 011 452 5959
FAX: 011 452 7911

J. TROUBLE SHOOTING

Malfunctions Probable Causes	Flame goes out during use	No flame after opening water inlet and outlet	Yellow flame with smoke	SOLUTION
Gas Valve not opened long enough or gas cylinder is empty	○	○		Fully open gas valve or change to a new cylinder
Airlock in gas pipe		○		Turn the unit on and off continuously until ignition successful
Water outlet valve closed		○		Fully open water outlet valve
Frozen Water		○		Wait until defrosted
Water pressure too low	○	○		Have the a professional inspect the water pressure and pipelines
Safety Device light on	○	○		Refer to Error Code
Error from Water flow sensor	○	○		Contact After Sales Service Centre
Error from Pulse Ignition Device	○	○		
Loose lead wire	○	○		Reconnect
Error from electromagnetic valve	○	○		Contact after sales service centre
Error from feed back electrode	○			
Error from Fan	○	○	○	
No power supply / power off	○	○		Switch on power supply

If the above solutions do not solve your problem, or you experience other malfunctions, please ask your installer to check your geyser or contact our After Sales Service Centre for repair.

You are not allowed to disassemble or repair the geyser yourself as it may cause accidents. Please DO NOT use the unit when there is a malfunction.

CHOOSING WIRE REMOTE CONTROLLER ADDRESS

This heater can be connected to several wired remote controllers, so you should assign an address to each controller. You can do this by following these instructions:

Press 'DOWN' then release button after 'Ad' displays. Press ON/OFF, then choose 'Add 1' or 'Add 2' by pressing 'UP' or 'DOWN' and exit to 'Ad' by pressing 'ON/OFF' again.

Choose 'qu' to save data by pressing 'UP' or 'DOWN' and then 'ON/OFF'. Exit by turning off the power supply after that.

Switch on power supply again, then to begin using the geyser.

The main remote control is preset at the factory, and is included with this geyser. Optional additional controllers can be purchased at your Dealer.

J. TROUBLE SHOOTING

Malfunctions Probable Causes	Flame goes out during use	No flame after opening water inlet and outlet	Yellow flame with smoke	SOLUTION
Gas Valve not opened long enough or gas cylinder is empty	○	○		Fully open gas valve or change to a new cylinder
Airlock in gas pipe		○		Turn the unit on and off continuously until ignition successful
Water outlet valve closed		○		Fully open water outlet valve
Frozen Water		○		Wait until defrosted
Water pressure too low	○	○		Have the a professional inspect the water pressure and pipelines
Safety Device light on	○	○		Refer to Error Code
Error from Water flow sensor	○	○		Contact After Sales Service Centre
Error from Pulse Ignition Device	○	○		
Loose lead wire	○	○		Reconnect
Error from electromagnetic valve	○	○		Contact after sales service centre
Error from feed back electrode	○			
Error from Fan	○	○	○	
No power supply / power off	○	○		Switch on power supply

If the above solutions do not solve your problem, or you experience other malfunctions, please ask your installer to check your geyser or contact our After Sales Service Centre for repair.

You are not allowed to disassemble or repair the geyser yourself as it may cause accidents. Please DO NOT use the unit when there is a malfunction.

CHOOSING WIRE REMOTE CONTROLLER ADDRESS

This heater can be connected to several wired remote controllers, so you should assign an address to each controller. You can do this by following these instructions:

Press 'DOWN' then release button after 'Ad' displays. Press ON/OFF, then choose 'Add 1' or 'Add 2' by pressing 'UP' or 'DOWN' and exit to 'Ad' by pressing 'ON/OFF' again.

Choose 'qu' to save data by pressing 'UP' or 'DOWN' and then 'ON/OFF'. Exit by turning off the power supply after that.

Switch on power supply again, then to begin using the geyser.

The main remote control is preset at the factory, and is included with this geyser. Optional additional controllers can be purchased at your Dealer.