



RHEEM 27 INTERNAL CONTINUOUS FLOW WATER HEATER

		2.5 - 3	27 L/MIN	10 YEAR
GAS	6 STAR	PEOPLE	DELIVERY	HEAT EXCHANGER WARRANTY ¹



FEATURES

- Never runs out of hot water
- **6 Star energy efficiency** – saves on energy costs
- **27 Litre/minute⁴ continuous hot water delivery** – ideal for families and large homes
- Reduced water wastage – reduced flow during start-up
- **Remote Temperature Controller options** for added convenience and safety
- 50°C models available, requiring no tempering valve²
- Commercial models available offering temperature delivery of up to **82°C²**
- Ability to deliver up to 54L/minute⁴ by linking two units with the Rheem EZ Link[®] system
- Flamesafe[®] overheat protection
- Digital display for easy fault diagnosis and service
- Full technical support through Rheem's National Service Network
- Available to suit Natural Gas or Propane
- 10 Year Heat Exchanger Warranty¹

INTERNAL INSTALLATION



COMES ON STEADY, HOT AND STRONG

INSTALL A





RHEEM 27 INTERNAL CONTINUOUS FLOW WATER HEATER

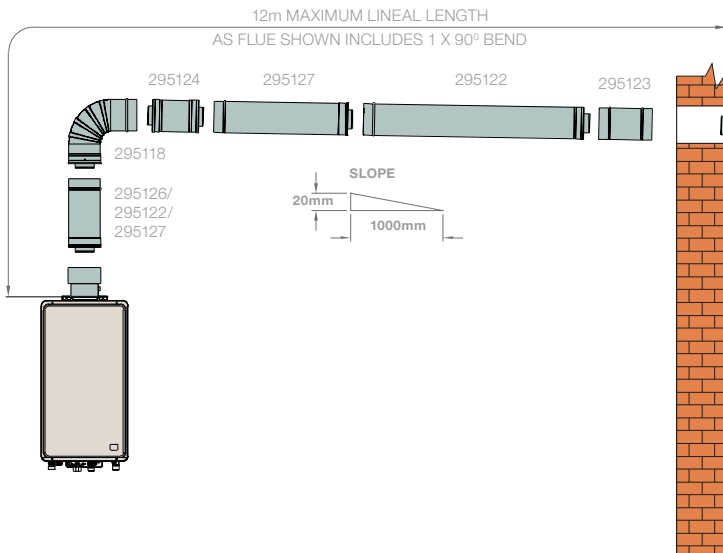
The superior performance and features of Rheem 27 Continuous Flow is available in either External or Internal models. Rheem 27 Internal is a room-sealed water heater, which both draws its air supply from, and is flued to, outside the building for maximum safety and security. Rheem's certified flue system is composed of stainless steel inner and aluminised steel outer flue, for long life and safety in operation. Rheem 27 Internal MUST only be installed using this

certified Rheem flue system.

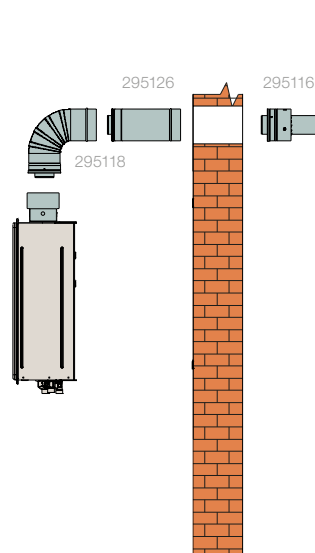
Rheem 27 Internal can be linked via the Rheem EZ Link® system to deliver up to 54L/minute⁴ if required, and is compatible with Rheem Remote Temperature Controllers. Available in 50°C and 60°C models, plus a Commercial model capable of 82°C hot water delivery.

Rheem Continuous Flow Flue System

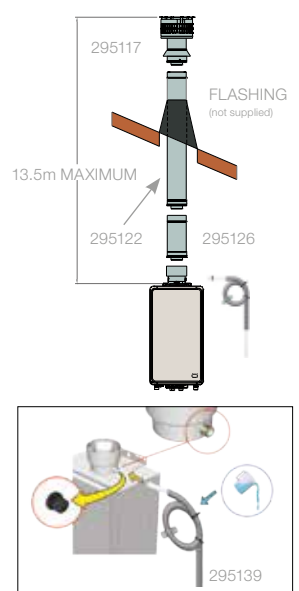
HORIZONTAL TERMINAL ADJACENT WALL



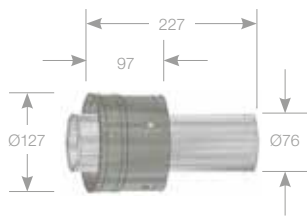
DIRECT VENT HORIZONTAL WALL



VERTICAL TERMINAL



Rheem Continuous Flow Flue Components



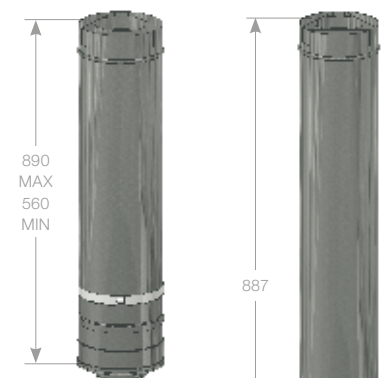
295116 Horizontal Terminal



295117 Vertical Terminal



295129-Bracket



295127 - Adjustable Straight 560 - 890mm

295122 - Straight Length 900mm



295118 90 Degree Bend



295119 45 Degree Bend



295139 Condensate Trap



RHEEM 27 INTERNAL CONTINUOUS FLOW WATER HEATER

Use the following as a guide to select which flue components and how many of each is required for each installation.

- The certified flue length is 9m with a maximum of 3 x 90° bends.
- The maximum flue length without bends can be 13.5 metres. Reduce the maximum length by 1.5m for every 90° bend and by 0.75m for every 45° bend.
- Determine the lineal distance and number of 45 & 90 Degree bends.
- Use the installed dimensions of each component (as shown in the illustrations below) in determining the pieces required.
- The flue must vent to outside the building through either a Vertical or Horizontal termination. All flue terminations must comply with Australian Standard AS/NZS 5601.1.
- For a Vertical terminal the bottom edge of the terminal must be at least 500mm away from the nearest structure in accordance with AS/NZS 5601.1. A Horizontal terminal must be at least 500mm away from any openable window/door.

- Flashing is required where a vertical flue penetrates the roof line (not supplied – a suitable flashing for 5 inch flue must be purchased separately).
- A Condensate spigot is incorporated into the flue outlet of the water heater. For all vertically terminating flues and where vertical sections exceeding 2m are incorporated in a horizontally terminating flue, a Condensate Trap (295139) must be fitted and filled with water to prevent spillage of combustion components. Its hose must drain to the sewer waste or to outside.
- For a Horizontally terminated flue, the flue must be installed to have a downward slope (of 20mm/mtr) away from the heater. Where more than 2 horizontal lengths are required, this necessitates the use of male/male and female/female adapter pieces in the flue system; see diagram (left)



Rheem 27 Internal must only be installed using certified Rheem coaxial flue components. Do not use any other type of flue system. Carefully follow the installation instructions.

Use the following table as a guide to selecting Rheem 27 Internal Continuous Flow flue components:

P/No	DESCRIPTION	WHERE USED
295116	Horizontal Terminal	Required where flue terminates horizontally
295117	Vertical Terminal	Required where flue terminates vertically
295118	90°Bend	Maximum of 3 per installation
295119	45°Bend	Maximum of 6 per installation (with no 90° bends)
295122	Straight Length 900mm	Long straight sections
295123	Female Female Adapter	Required to reverse flue pipe direction to allow condensate to drain away correctly from water heater in long horizontal sections of horizontally terminating flues
295124	Male Male Adapter	Required to reverse flue pipe direction to allow condensate to drain away correctly from water heater in long horizontal sections of horizontally terminating flues
295125	Trim Ring (optional)	Conceal internal and/or external hole in wall for horizontally terminating flues
295126	Straight Length 300mm	Short straight sections
295127	Adjustable Length 560 – 890mm	Allows to trim flue to exact length required
295129	Bracket	Support flue at intervals not exceeding 2m and after any bend
295139	Condensate Trap	Required with all vertical flue terminations and horizontal flue terminations with vertical sections exceeding 2m. Can be connected to a common waste

The flue drawings show the overall dimensions . Allow approximately 35mm for insertion of each flue piece.



295125
Trim Ring



295124
MM Adapter



295123
FF Adapter



295126 Straight
Length 300mm

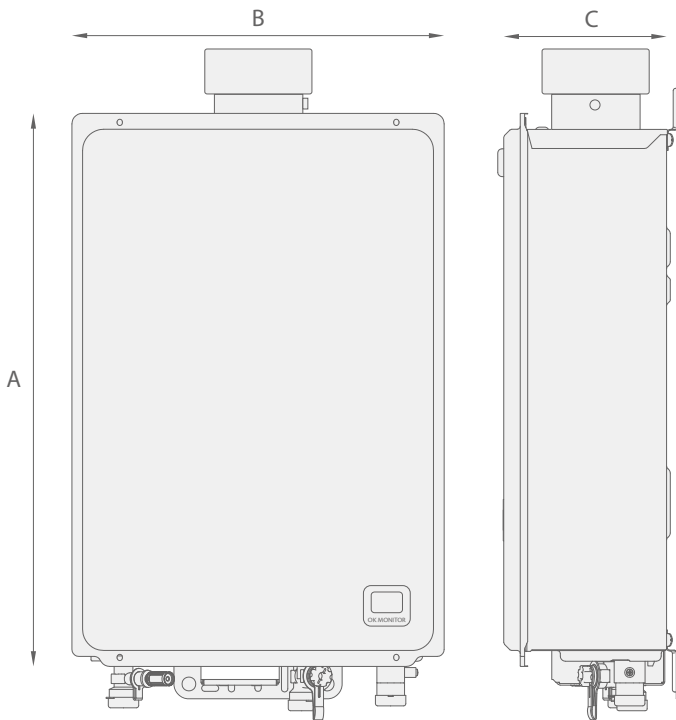


RHEEM 27 INTERNAL CONTINUOUS FLOW WATER HEATER

CONTINUOUS FLOW HOT WATER WHEN YOU NEED IT

Continuous Flow water heaters deliver hot water that never runs out because they heat water when you need it, for as long as you need it. They work differently to traditional storage water heaters, only heating on demand rather than heating and storing water until needed. Up to 7 Star equivalent energy efficient, Rheem Continuous Flow water heaters are good for the environment and they mount conveniently to the wall, taking up less space.

With a wide range of deliveries, there is a Rheem Continuous Flow model for every budget and family.



MODEL

RHEEM 27 CONTINUOUS FLOW

INTERNAL

	866627	864627	862627
Temperature (°C)	50	60	82
Gas Type	Natural Gas/Propane		
Gas Energy Rating	6 Stars		
Flow Rate (L/min @ 25°C Rise)	27L/min		
Minimum Operating Flow Rate	2.0L/min		
Nominal Gas Consumption	205 MJ/hr		
Dimensions (mm)			
Height A	600		
Width B	350		
Depth C	215		
Approx Weight (kg)	24		
Max. Water Supply Pressure	1000kPa		
Min. Water Supply Pressure	140kPa		
Cold Water Connection	R ¾/20		
Hot Water Connection	R ¾/20		
Gas Connection	R ¾/20		
Temp. Controllers			
Kitchen	299850		
Bathroom 1	299851		
Bathroom 2	299852		
Deluxe Temp. Controllers			
Kitchen	299858		
Bathroom 1	299859		
Bathroom 2	299860		

¹ Continuous Flow Warranty:
10 Years parts and 3 Years labour on Heat Exchanger, 3 Years parts & labour on other components, when installed in a domestic dwelling. For all other installations, the warranty period is 1 Year parts and labour on Heat Exchanger and other components. Conditions apply. See the Rheem warranty set out in the Owner's Guide & Installation Instructions or view at www.rheem.com.au/warranty.

² 60°C and higher temperature models and some applications require a tempering valve in accordance with AS/NZS 3500.4.

³ For details of models refer to Rheem Continuous Flow Gas Hot water brochure.

⁴ At 25°C temperature rise.

Materials and data are subject to change without notice.

* Registered Trademark of Rheem Australia Pty Ltd.

™ Trademark of SAI Global



Rheem Australia Pty Ltd.
1 Alan Street, Rydalmere, New South Wales 2116, Australia
PO Box 7508, Silverwater, New South Wales 2128, Australia.

